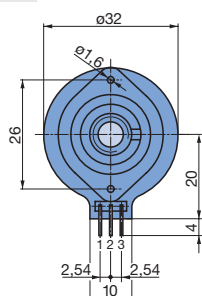
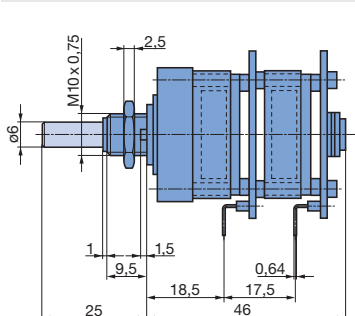
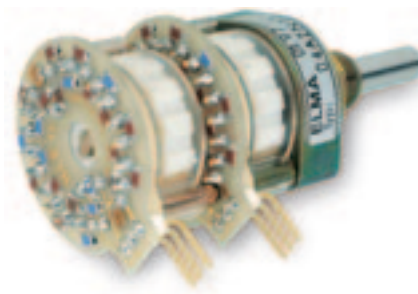
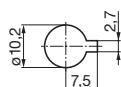


Audio Switches Series N

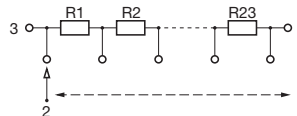
- 24 position switch
- finished high quality attenuator with low switching torque
- test report available
- loaded with low inductance SMD metal film resistors



Front panel cut out



Circuit diagram



Switching function	Resistance	1-channel version	2-channel version
shorting	10 k Ω	04A1N01	04A2N01
shorting	50 k Ω	04A1N05	04A2N05
shorting	100 k Ω	04A1N10	04A2N10

packing unit: 10 pieces

1 mm = 0.04 inch, 1 inch = 25.4 mm

Technical Data and Modified Versions see page 143-150