

Level sensor

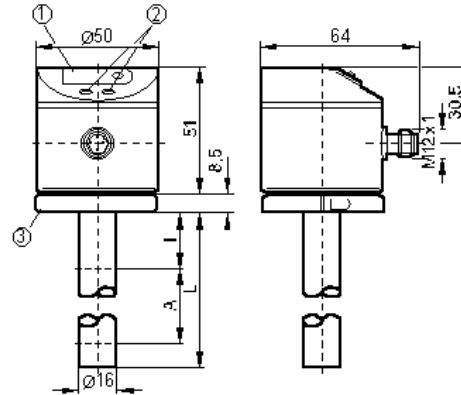
LK3023

Electronic level sensor LK

Switching output, Analogue output

Probe length
L = 472 mm

7-segment LED display



1: 7-segment LED display, 2: Programming buttons, 3: Earthing ring with cable lug for cable 1.5 - 2.5mm²

Application	hydrous coolants mineral oils (dielectric constant < 3) water, media similar to water cannot be used for media with separation layers (oil + water; oil/metal layer) cannot be used for acids and alkalis
Electrical design	DC PNP
Output	normally open / closed programmable; 4...20 mA or 0...10 V
Operating voltage [V]	18...30 DC
Current rating [mA]	200
Short-circuit protection	•
Reverse polarity protection / Overload protection	•
Voltage drop [V]	< 2,5
Current consumption [mA]	< 80
Active range A [mm]	390
Inactive range I [mm]	53
Setting range	
Switch-on point, SP [mm]	40...415
Switch-off point, rP [mm]	35...410
in steps of [mm]	5
Hysteresis [mm]	5
Switch point setting	Programming button
Load for analogue output [ohms]	Current: < 500 Tension: > 2000
Maximum speed of the change of level [mm/s]	200
Maximum vessel pressure [bar]	only for applications without pressure *)
Deviations (% of value of measuring range)	
Repeatability	± 2
Accuracy of switch point	± 5
Power-on delay time [s]	3

ifm electronic gmbh · Teichstraße 4 · D-45 127 Essen

We reserve the right to make technical alterations without prior notice. — GB - LK3023 - 1/2 — 22.09.2003

Dielectric constant medium	> 2
Operating temperature [°C]	0...+60
Medium temperature [°C]	0...+65 **) / 0...+60 ***)
Storage temperature [°C]	-25...+80
Protection	IP 67, III
Shock resistance [g]	12
Vibration resistance [g]	2,5
EMC	EN 61000/4/2 ESD: 4kV CD / 8kV AD EN 61000/4/3 HF radiated: 10V/m EN 61000/4/4 Burst: 2kV EN 61000/4/5 Surge: 500V/1kV EN 61000/4/6 HF conducted: 10V
Housing material	EPDM/X (Santoprene) FPM (Viton) brass Optalloy-plated NBR (Buna N) PA Pocan PC (Macrolon) PP (polypropylene)
Materials (wetted parts)	PP (polypropylene)
Function display	red
Switching status LED	7-segment LED display
System pressure, function LED	
Connection	M12 connector, gold-plated contacts

Wiring

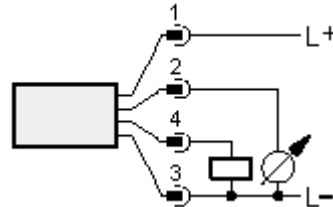
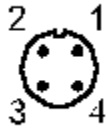
Programming of the output function:

Hno = hysteresis / N.O.

Hnc = hysteresis / N.C.

Fno = window function / N.O.

Fnc = window function / N.C.



Remarks

*) 0,5 bar when mounted with mounting accessories E43000 - E43007

**) = Mediumtemperatur für Öle

***) = Mediumtemperatur für wasserbasierte Kühlschmiermittel, Wasser und wasserähnliche Medien;

for water and hydrous media with temperatures > 35°C install the unit into a climatic tube

(order no. E43101)